

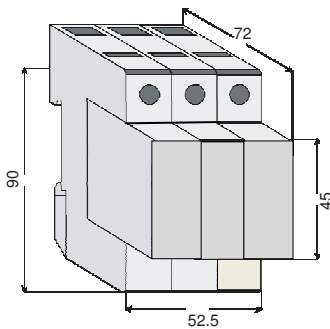
T2-40DC Photovoltaic Surge Protective Device



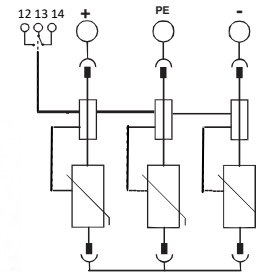
Modular surge protective device T2-40DC for protection for the direct current of photovoltaic installations (behind the solar panel).

- Surge protective device for photovoltaic installations
- Surge arrester type 2 I_{max} 40kA
- Nominal discharge current I_n 20 kA
- Plug-in cell
- Integrated thermal disconnecter

Dimensions



Scheme



Characteristics

References	T2-40DC/1000
Standard	IEC-61643-1 / UTE C61-740-51
Permanent max voltage U_{cPV}	1000 VDC
Nominal discharge current I_n (8/20 μ s)	20 kA
Max discharge current I_{max} (8/20 μ s)	40 kA
Clamping level $U_p @ I_n$	3,7 kV
Residual Voltage U_{res} @ 5kA / 10 kA / 15 kA	-
Residual current I_{pe}	< 1,5 mA
Permanent current I_{cpv}	< 0,1 mA
Response time	< 25 ns
Fuse (associated protection)	max. 80 A gPV
Current I_{scwpv}	30A
End of life signalisation	yes
Default output	yes
Wiring gauge L/N/PE	4-35 mm ² (souple : 25 mm ² max.)
Default output signal (Flexible, rigid)	1,5 mm ² max
Operating T°C	-20°C / +80° C
Housing material	Polyester thermoplastique UL 94 V0
Housing protection level	IP20
Mounting	Rail din symétrique (EN 50022 / DIN46277-3)

References

Code	Designation
T2-40DC/1000	Bipolar Surge protective device U_c 1000 with default output