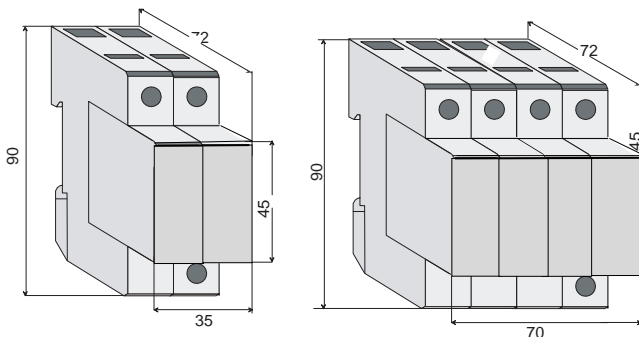




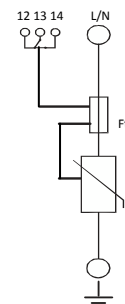
Modular surge protective device T2-40D for primary protection of low voltage installation on the main networks. Ensure an efficient protection in highly exposed area. Available in bipolar and tetrapolar version with pluggable module for single or three phase networks.

- Surge arrester type 2 I_{max} 40kA
- Nominal discharge current I_n 20 kA
- Pluggable module
- Integrated thermal disconnecter
- Default output

Dimensions



scheme



Characteristics

Model	T2-40D/335-T
Network type	TT-TN
Nominal voltage U_n	280VAC
Max permanent service voltage U_c	335 VAC
Transient surge handling U_T	> 400 VAC
Nominal discharge current I_n (8/20 μ s)	20 kA
Max discharge current I_{max}	40kA
Clamping level $U_p @ I_n$	1,3 kV
Leak current I_c	< 1 mA
Follow current	none
Response time	< 25 ns
Fuse (associated switching device)	max. 125 A gG/gL
Short-circuit current handling	25 kA / 50 Hz
Internal thermal disconnecter	yes
Remote monitoring of status	yes
Max switching current of signal contact	0,5 A / 250 Vac
Wiring gauge L/N / PE	4-25 mm ² (flexible : 16 mm ² max.)
Monitoring contacts flexible rigid	1,5 mm ²
Operating t° C	-20 $^\circ$ C / +80 $^\circ$ C
Housing material	Solvamid 6FRC2
Housing protection level	IP20
Mounting	symmetrical DIN rail (EN 50022 / DIN46277-3)
Weight	98g / pole

References

Part Number	Designation
T2-40D/335-T2	Bipolar surge protective device (L,N) U_c 335 with default output
T2-40D/335-T4	Tetrapolar surge protective device (L1,L2,L3,N) U_c 335 with default output