

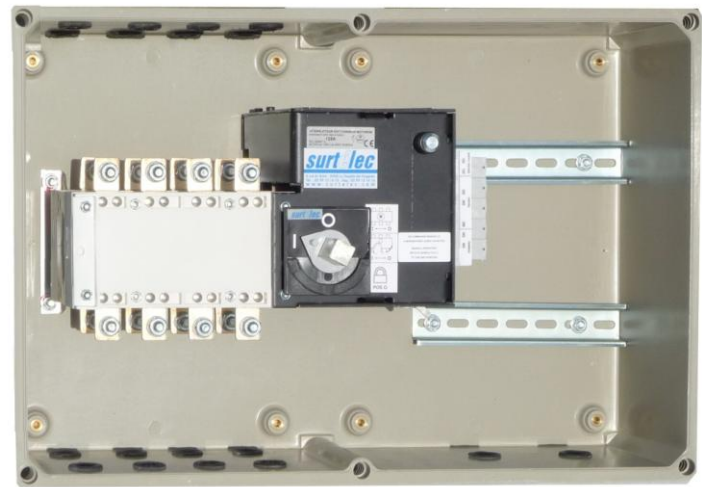
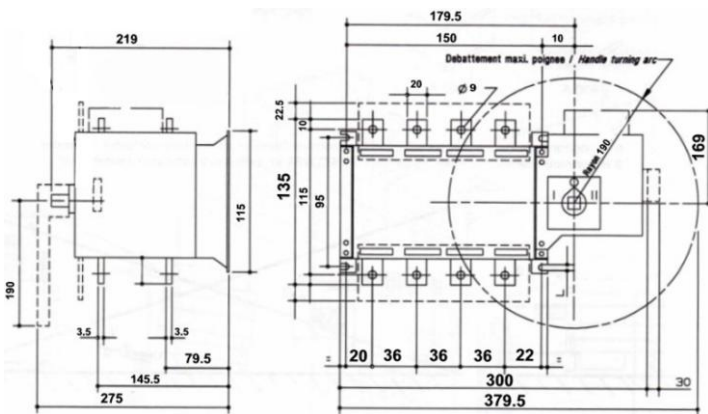
ISOLMAX Wide gap isolating switch



The Isolmax has been created in order to ensure maximum protection to the installations particularly exposed to overvoltage due to atmospheric disturbances when activated by lightning detector DTfoudre.

When a risk of damage due to atmospheric disturbances is detected by the DTfoudre, the Isolmax insulate the installation.

Dimensions



Characteristics

Power supply	230 Vac
Fuse (associated protection)	2A gG
Number of contact	8
Maximum current by contact	125A
Resistance to shock wave	20 kV

Reference

Part number	Designation
51100	Wide gap isolating switch V2